

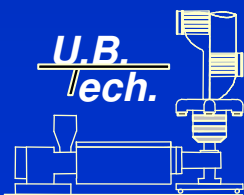
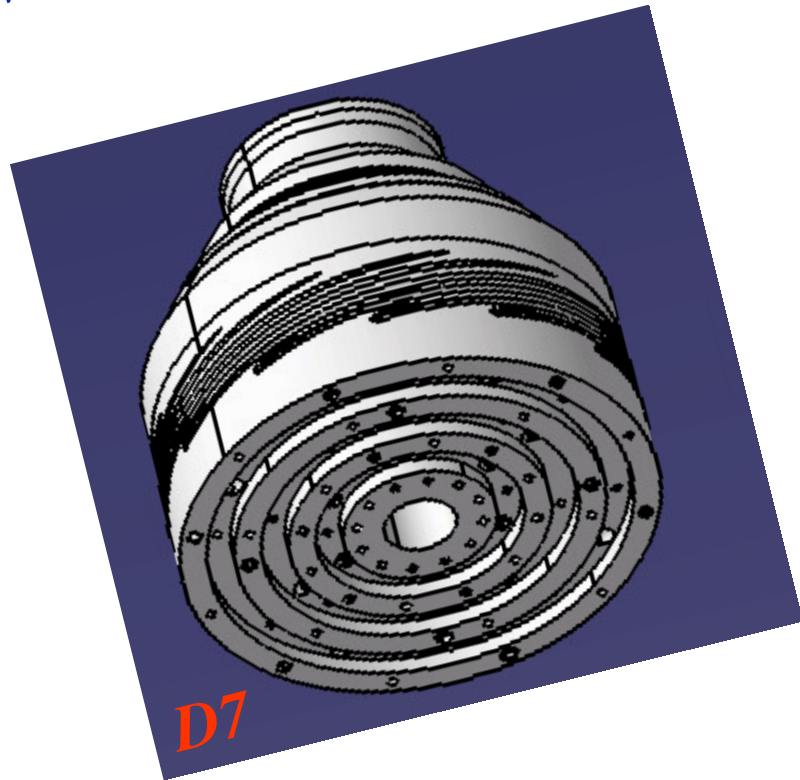
U.B.Tech.

The Extrusion – World

New **Vis-Co[®]**

D1 -D7

Mono to seven layers

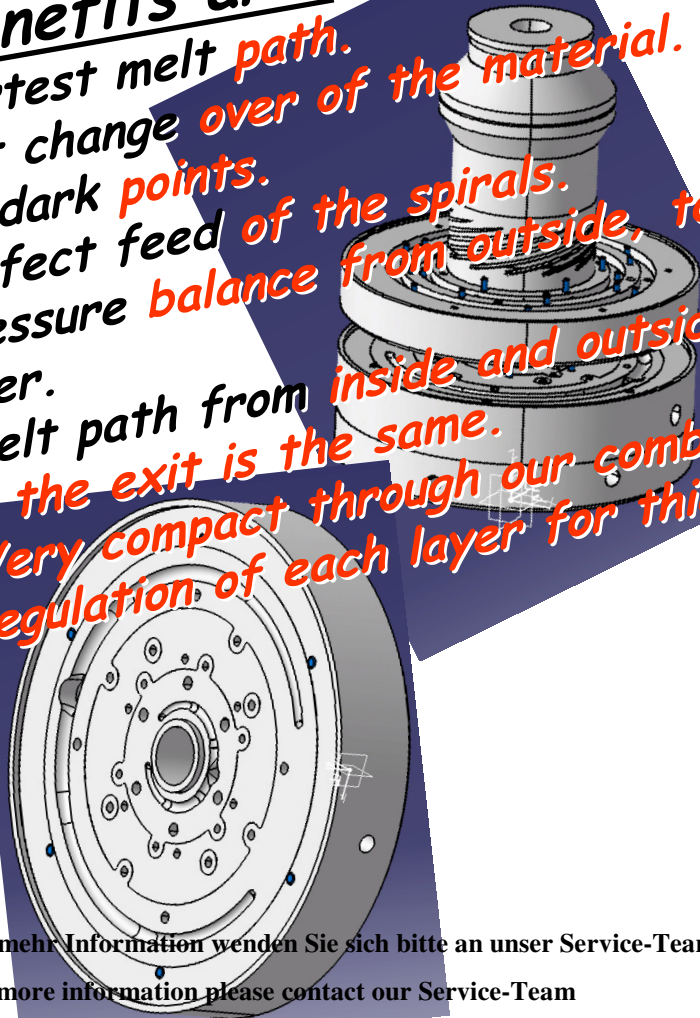


Vis-Co[®]

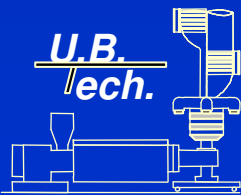
The newest technology on the market

The benefits are:

1. - Shortest melt path.
2. - Fast change over of the material.
3. - No dark points.
4. - Perfect feed of the spirals.
5. - Pressure balance from outside, to inside layer.
6. - Melt path from inside and outside layer to the exit is the same.
7. - Very compact through our comb system.
8. - Regulation of each layer for thickness.



Für mehr Information wenden Sie sich bitte an unser Service-Team
For more information please contact our Service-Team



U.B.Tech. GmbH – An der Autobahn 7 - D 26215 Wiefelstede
Tel.: +49(0)441/350 99 36 - Fax.:+49(0)441/560 07 82
Email: info@ubtech.eu - www.ubtech.eu